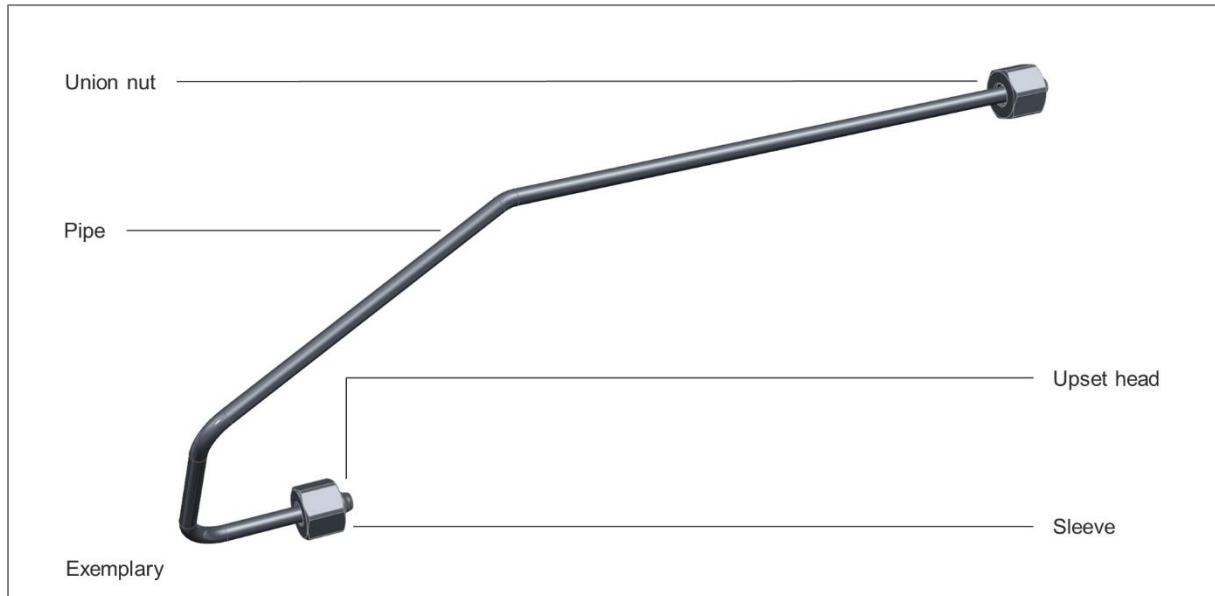




H₂ Pipes

Product specification

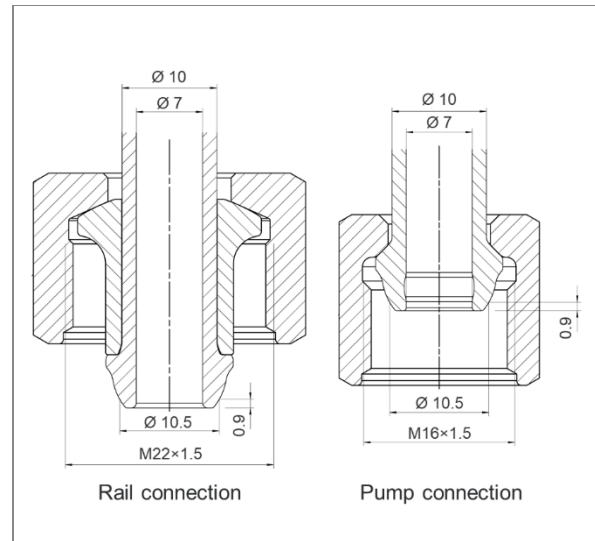
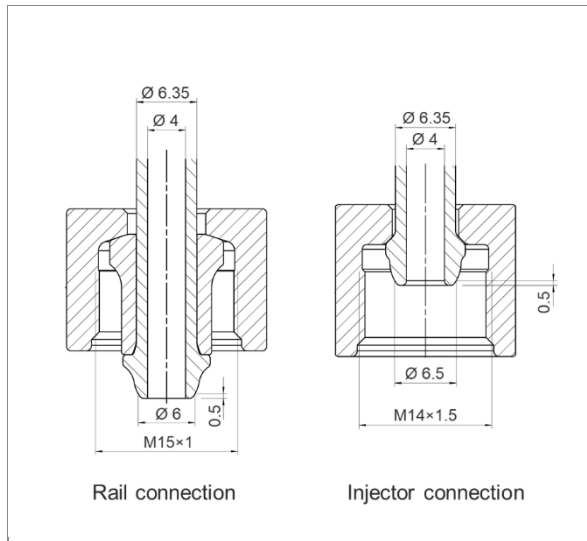


P+P's H₂ pipes are used to ensure the safe supply and distribution of hydrogen in mobile and stationary hydrogen applications.

With its certified metallic upset head connection, a reliable re-assembly is guaranteed.

By specifically varying the pipe dimensions, it is possible to meet the customer's specifications and installation space requirements in the best possible way.

Technical features



The following variants are currently under validation at P+P:

H ₂ Pipes	
Technical data	
Inner pipe diameter	4 mm
Outer pipe diameter	6.35 mm
Length pipe	exemplary 450 mm
Volume	on request
Material	PPH2 ¹⁾
Surface protection	Zn, Zn-Ni
Sealing type	Metal-to-metal
Interfaces Thread definitions	
Rail connection	M15x1-6H
Injector connection	M14x1.5-6H
Operating conditions	
Operating temperature	-40 to +120 °C
Nominal working pressure	up to 700 bar
Maximum allowed working pressure	on request
Medium	Hydrogen
Leakage rate	<10 Ncm ³ /h

H ₂ Pipes	
Technical data	
Inner pipe diameter	7 mm
Outer pipe diameter	10 mm
Length pipe	exemplary 450 mm
Volume	on request
Material	PPH2 ¹⁾
Surface protection	Zn, Zn-Ni
Sealing type	Metal-to-metal
Interfaces Thread definitions	
Rail connection	M22x1.5-6H
Pump connection	M16x1.5-6H
Operating conditions	
Operating temperature	-40 to +120 °C
Nominal working pressure	up to 700 bar
Maximum allowed working pressure	on request
Medium	Hydrogen
Leakage rate	<10 Ncm ³ /h

1) PPH2 is a protected designation of the Poppe + Potthoff Präzisionsstahlrohre GmbH

Certification & safety information

The product may only be used after installation by qualified personnel according to the corresponding installation guide. Usage for production of commercial goods is only permitted in certified countries. Otherwise, the product may only be used for testing purposes.

Certificates

Europe

EC 79/2009 / EU406/2010 Certification pending

UN/ECE R134 Certification pending

Greater China (China, Taiwan, Hong Kong, Macau)

GB/T 35544-2017 Certification pending

EC 79/2009 / EU406/2010 Certification pending

North America (USA, Canada)

HGV 3.1-2015 Certification pending

Poppe + Potthoff GmbH

Dammstraße 17

32824 Werther

Germany

Phone: +49 (0) 5203 91 66 0

Fax: +49 (0) 5203 91 66 100

info@poppe-potthoff.com

www.poppe-potthoff.com

