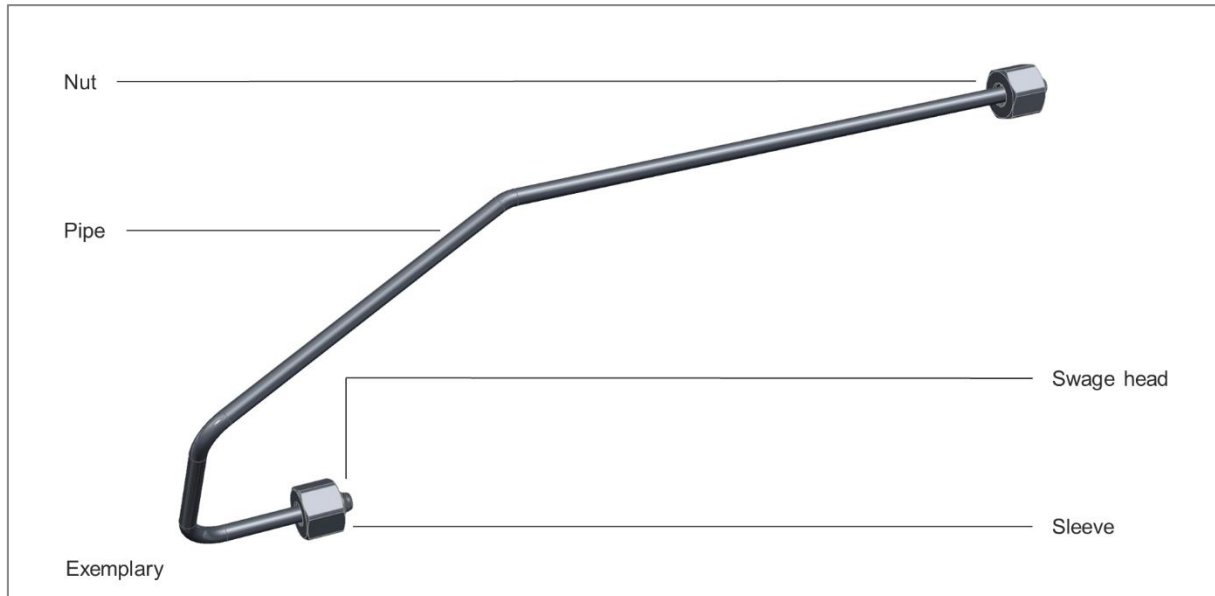




H₂ Pipes (Stainless Steel)

Product specification

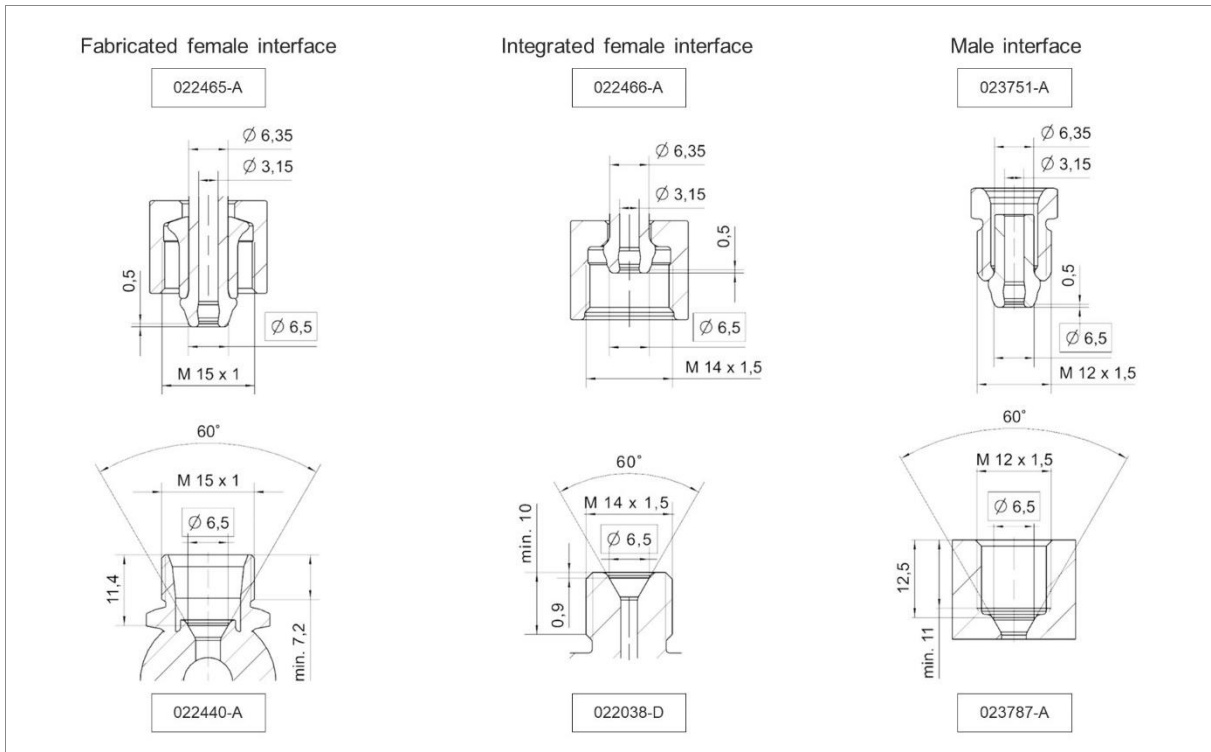


P+P's H₂ pipes are used to ensure the safe supply and distribution of hydrogen in mobile and stationary hydrogen applications.

With its certified metallic swage head connection, a reliable re-assembly is guaranteed.

By specifically varying the pipe dimensions, it is possible to meet the customer's specifications and installation space requirements in the best possible way.

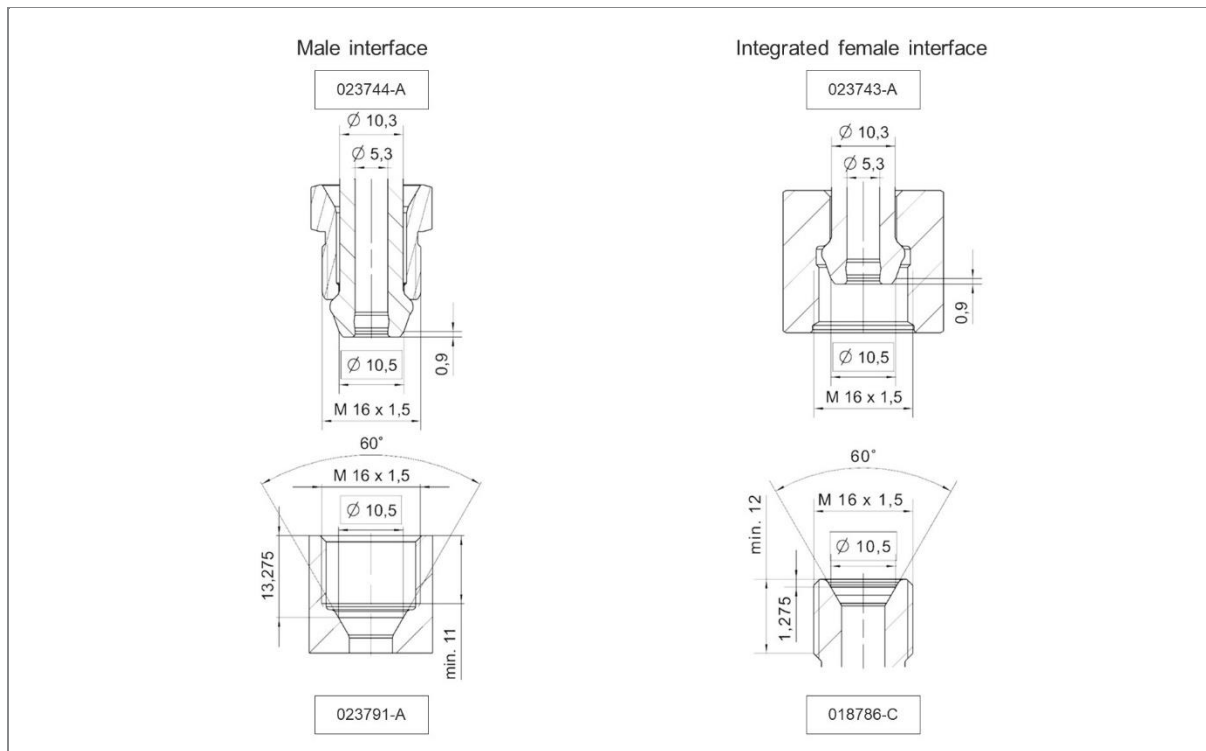
Technical features



The following variants are currently under validation at P+P:

H ₂ Pipes	
Technical data	
Inner pipe diameter	3.15 mm
Outer pipe diameter	6.35 mm
Length pipe	max. 1.5 m
Material	1.4435
Sealing type	Metal-to-metal
Interfaces Thread definitions	
Fabricated female interface (022465-A) e4*79/2009*406/2010*00079*00	M15x1-6H
Integrated female interface (022466-A) e4*79/2009*406/2010*00079*00	M14x1.5-6H
Male interface (023751-A)	M12x1.5-6H
Operating conditions	
Operating temperature	-40 to +85 °C
Nominal working pressure (50.000 cycles)	up to 700 bar
Burst pressure	> 2480 bar
Medium	Hydrogen
Leakage rate	<10 Ncm ³ /h

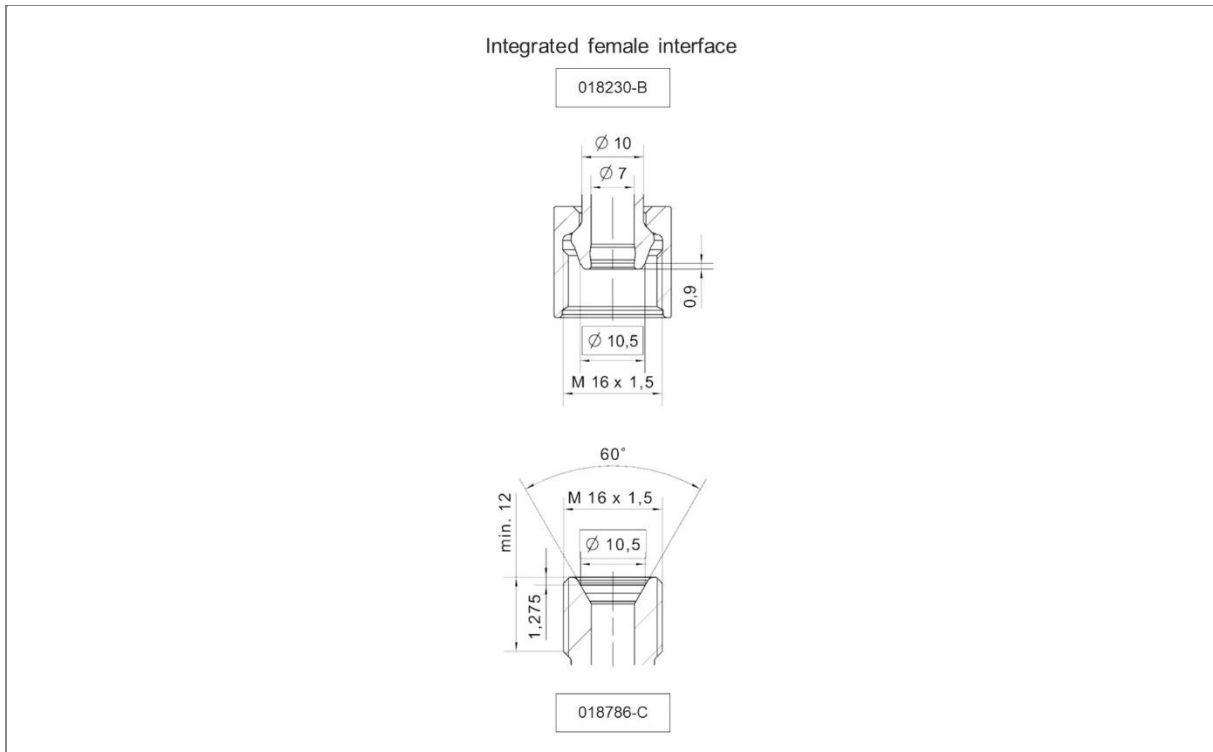
Technical features



The following variants are currently planned at P+P:

H ₂ Pipes	
Technical data	
Inner pipe diameter	5.3 mm
Outer pipe diameter	10.3 mm
Length pipe	max. 1.5 m
Material	1.4435
Sealing type	Metal-to-metal
Interfaces Thread definitions	
Male interface (023744-A)	M16x1.5-6H
Integrated female interface (023743-A)	M16x1.5-6H
Operating conditions	
Operating temperature	-40 to +85 °C
Nominal working pressure (50.000 cycles)	tbd
Burst pressure	tbd
Medium	Hydrogen
Leakage rate	<10 Ncm ³ /h

Technical features



The following variants are currently planned at P+P:

H ₂ Pipes	
Technical data	
Inner pipe diameter	7 mm
Outer pipe diameter	10 mm
Length pipe	max. 1.5 m
Material	1.4435
Sealing type	Metal-to-metal
Interfaces Thread definitions	
Integrated female interface (018230-B)	M16x1.5-6H
Operating conditions	
Operating temperature	-40 to +85 °C
Nominal working pressure (50.000 cycles)	tbd
Burst pressure	tbd
Medium	Hydrogen
Leakage rate	<10 Ncm ³ /h

Certification & safety information

The product may only be used after installation by qualified personnel according to the corresponding installation guide. Usage for production of commercial goods is only permitted in certified countries. Otherwise, the product may only be used for testing purposes.

Certificates¹⁾

Europe			
	6.35x3.15	10.3x5.3	10x7
EC79/2009, EU406/2010	Certified	Pending	Pending
UN/ECE R134	n/a ²⁾	n/a	n/a
North America (USA, Canada)			
	6.35x3.15	10.3x5.3	10x7
HGV 3.1-2022	Tests passed ³⁾	Pending	Pending

1) This information applies only to tests and certifications of the base pipe. Fitting-specific information on tests and certifications are given in the previously presented tables for relevant interfaces.

2) UN/ECE R134 does not include specific testing of pipes.

3) 6.35x3.15 stainless steel pipes were successfully tested according to HGV 3.1-2022 chapter 5 & 19.

Poppe + Potthoff GmbH

Dammstraße 17

32824 Werther

Germany

Phone: +49 (0) 5203 91 66 0

Fax: +49 (0) 5203 91 66 100

info@poppe-potthoff.com

www.poppe-potthoff.com

